

# Pulsation dampener

Model : A040

Spec. sheet no. AD00-04

## Service intended

It is used for reducing the pressure pulsation flowing from pump or air compressor in order to facilitate pressure gauge reading.

CE CRN

## Standard features

Max. working temperature : 232 °C

Packing : PTFE (-54 ~ 232 °C)

Max. static pressure up to 35 MPa



※ This product's Max. working temperature could be varied depending on its working pressure and temperature.

## Main order

## Ordering information

### 1. Base model

**A040** Pulsation dampener

### 2. Unused type

**A** None

### 3. Material

**D** 316SS  
**F** 316L SS  
**G** Monel  
**Z** Other

### 4. Gauge connection size

**0** 1/4"  
**1** 3/8"  
**2** 1/2"  
**9** Other

### 5. Gauge connection type

**A** PF (F)  
**B** PT (F)  
**C** NPT (F)  
**Z** Other

### 6. Process connection size

**B** 1/4"  
**C** 3/8"  
**D** 1/2"  
**Z** Other

### 7. Process connection type

**G** PF (M)  
**H** PT (M)  
**J** NPT (M)  
**Z** Other

### 8. Unused character

**A0000** None

1	2	3	4	5	6	7	8
A040	A	D	0	A	B	G	A0000

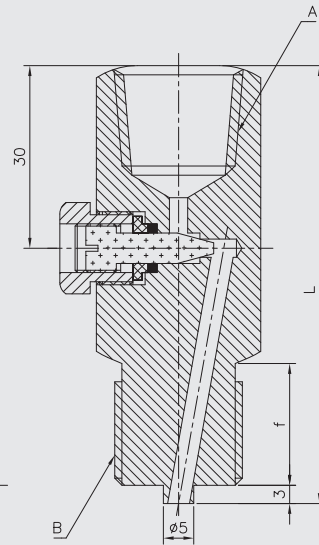
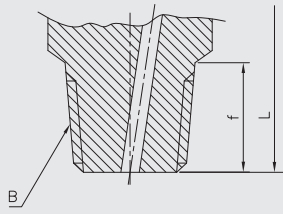
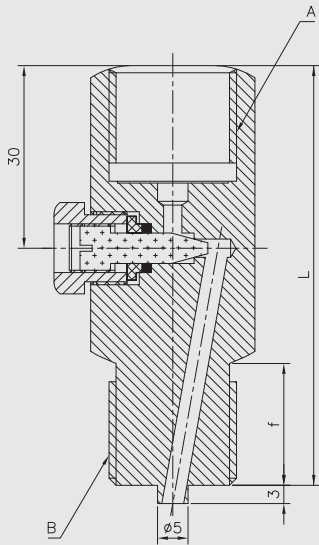
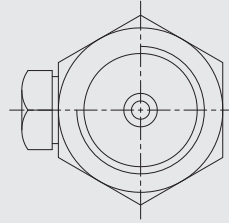
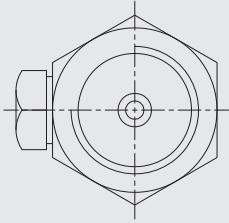
Sample  
ordering code

© WISE Control Inc. All rights reserved. ALL PRODUCT, PRODUCT SPECIFICATIONS AND DATA ARE SUBJECT TO CHANGE WITHOUT NOTICE TO IMPROVE RELIABILITY, FUNCTION OR DESIGN OR OTHERWISE.

**WISE**<sup>®</sup>

| A040\_01

## A040 : Type of mounting



Dimensions (mm)

A	B	f	L
PF3/8	PF3/8	18	63
	PF1/2	20	63
PF1/2	NPT3/8	16	63
	NPT1/2	18	63
NPT3/8	PF3/8	18	63
	PF1/2	20	63
NPT1/2	NPT3/8	16	63
	NPT1/2	18	63