

Bourdon tube pressure gauge

Model : P112 series

Spec. sheet no. PD0-03

Service intended

P112 series are designed to withstand the shock, the vibration and the pulsation which could be generated from freon gas service.



Nominal diameter

60 and 75 mm

Accuracy

±1.5 % of full scale

Scale range (MPa, kPa, bar)

60mm : -0.1 ~ 0.2, 0.4, 1.0, 1.5, 2.0 MPa

0 ~ 2.5, 0 ~ 3.5 MPa

75mm : -0.1 ~ 0.2, 0.4, 1.5 MPa

0 ~ 3.5 MPa



Working pressure

Steady : 75 % of full scale

Over range protection : 130 % of full scale

Working temperature

Ambient : -20 ~ 60 °C

Fluid : Max. 60 °C

Temperature effect

Accuracy at temperature above and below the reference temperature (20 °C) will be effected by approximately ±0.4 % per 10°C of full scale

Standard features

Pressure connection

Brass

Movement

Brass

Element

Brass

C type bourdon tube

Dial

White aluminium with black graduations

Case

Black finished steel

Pointer

Black painted aluminium alloy

Window

Polycarbonate (60 mm)

Glass (Only 75 mm)

Process connection

¼" UNF

¼" PT, NPT and PF

⅜" PT, NPT and PF (Only 75 mm)

WISE[®]

| P112_01

1. Base model

P112 Bourdon tube pressure gauge

2. Nominal diameter (mm)

- 2 60
- 3 75

3. Type of mounting

- B** Bottom connection, surface, case mounting plate
- H** Center back connection, flush, case center mounting plate

4. Accuracy

- 4 ±1.5 % of full scale

5. Process connection

- C** ¼"
- D** ⅜", Only 75 mm
- P** ⅞" UNF

6. Connection type

- B** PF
- C** PT
- D** NPT
- E** UNF

7. Unit

- H** bar
- I** MPa
- J** kPa

8. Range (MPa)

- 028** -0.1 ~ 0.2
- 030** -0.1 ~ 0.4
- 032** -0.1 ~ 1
- 033** -0.1 ~ 1.5
- 034** -0.1 ~ 2
- 052** 0 ~ 2.5
- 054** 0 ~ 3.5

9. Dial color

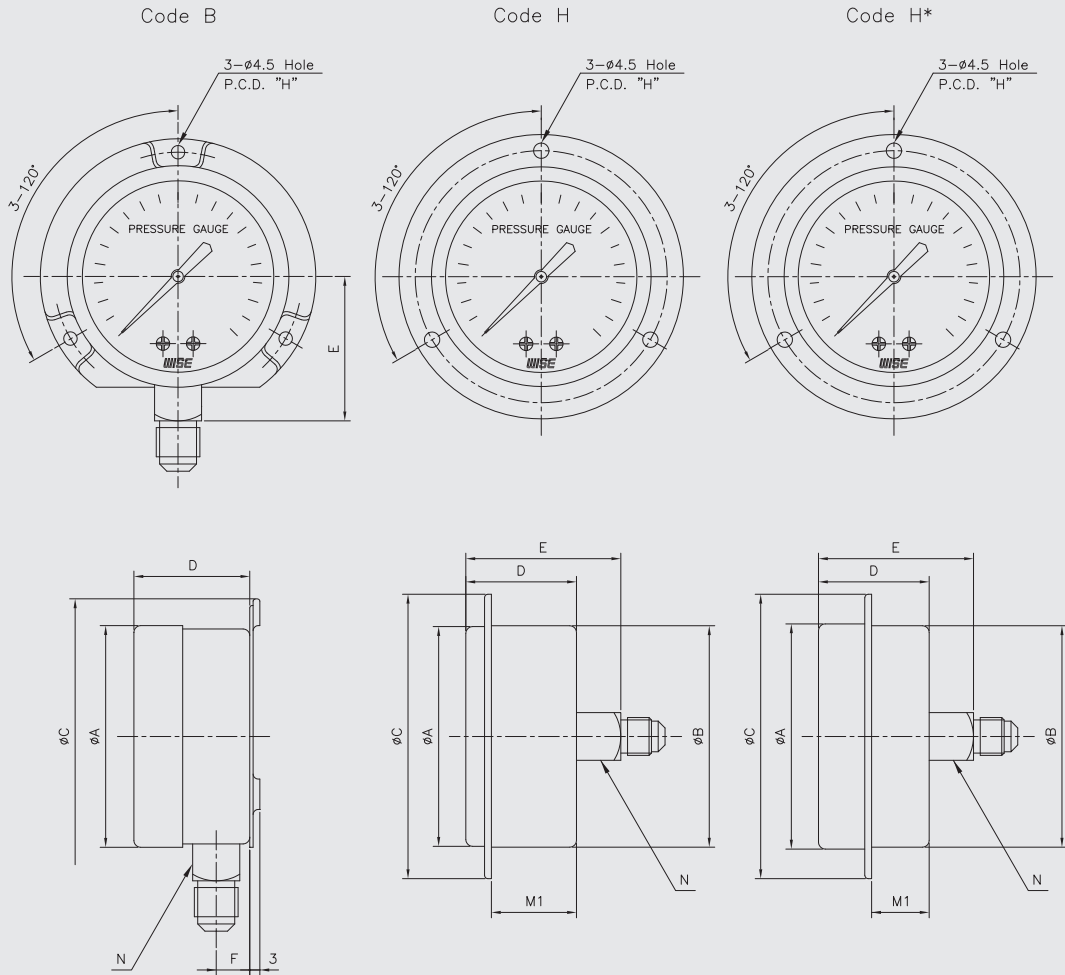
- 1 2 colors
- 5 3 colors

10. Option

- 0 None
- 1 Accessories

1	2	3	4	5	6	7	8	9	10	Sample ordering code
P112	2	H	4	P	E	I	033	5	0	

P112 : Type of mounting



Dimensions (mm)

Dial size	Available code	A	B	C	D \pm 2	E \pm 2	F \pm 1	H	M1	N
60	B	66		82	35.5	42	11	74		14
	H	66	65	83.5	34.5	44.5		74	27	14
75	B	78		100	34.7	52	12.7	90		17
	H*	78	77	100	34.7	46.7		90	19	17

Conversion table

Pressure conversion chart

psi	atm	kgf/cm ²	inH ₂ O	mmHg	inHg	kPa	bar	mmH ₂ O
1	0.068046	0.070307	27.7276	51.715	2.03602	6.835	0.06895	704.28104
14.696	1	1.0332	407.484	760	29.921	101.325	1.01325	10,350.0936
14.2233	0.96784	1	394.38	735.559	28.959	98.096	0.98067	10,000
0.036092	0.002454	0.00253	1	1.8651	0.07343	0.249	0.00249	25.4
0.019336	0.001315	0.001359	0.53616	1	0.03937	0.1333	0.001333	13.618464
0.491154	0.0033421	0.03453	13.6185	25.4	1	3.3864	0.033864	345.9099
0.145	0.00987	0.010197	4.0186	7.5006	0.2953	1	0.01	102.07244
14.5038	0.98692	1.01972	402.156	750.062	29.53	100	1	10,214.7624
0.00142	0.000097	0.0001	0.03937	0.0734	0.0029	0.0098	0.000098	1

Memo