

Chart recorder

Model: P930 series

Spec. sheet no. PD09-03

Service intended

P930 series pressure recorder provides a single or dual pen 200 mm circular chart recorder for measurement. It is suitable for hazardous environment such as gas or chemical process lines.

EAC

Nominal diameter

246 (W) X 271 mm (H)

Accuracy

±2.0 % of full scale

Scale range (MPa, kPa, bar)

Pressure : 0 ~ 5 kPa to 0 ~ 100 MPa

Working pressure

Steady pressure : 75 % of full scale

Over range protection : 130 % of full scale

Working temperature

Ambient : -40 ~ 65 °C

Fluid : Max. 200 °C



Standard features

Pressure connection

Stainless steel (316SS)

Element

Bourdon tube : Stainless steel (316SS)

Bellows : Brass

Case and cover

ALDC 12.1

Hinged door

Window

Acrylic resin

Movement

Brass

Chart drive

1. Spring wound type : 24, 168 (7 day) hours rotation
2. Battery type : 30 min, 96 min, 1, 2, 4, 6, 8, 12 hours and 1, 2, 7, 8, 14, 16, 31, 32 days selectable for portable type

Chart paper

200 mm circular

Mounting

Surface mounting and portable type

Process connection

3/8", 1/2" PT, NPT and PF

WISE[®]

I P930_01

1. Base model

- P931** Chart recorder (Surface mounting, one pen type)
P932 Chart recorder (Surface mounting, two pen type)
P933 Chart recorder (Portable, one pen type)
P934 Chart recorder (Portable, two pen type)

2. Sensor type

- 8** Temperature and pressure
9 Pressure

3. Type of mounting

- B** Bottom entry and surface mounting plate

4. Accuracy

- 5** ±2.0 % of full scale

5. Process connection

- D** ¾"
E ½"

6. Connection type

- B** PF
C PT
D NPT

7. Unit

- H** bar
I MPa
J kPa
Z Other

8. Range

- XXX** Refer to pressure range table

9. Pressure connection material

- 3** 316SS

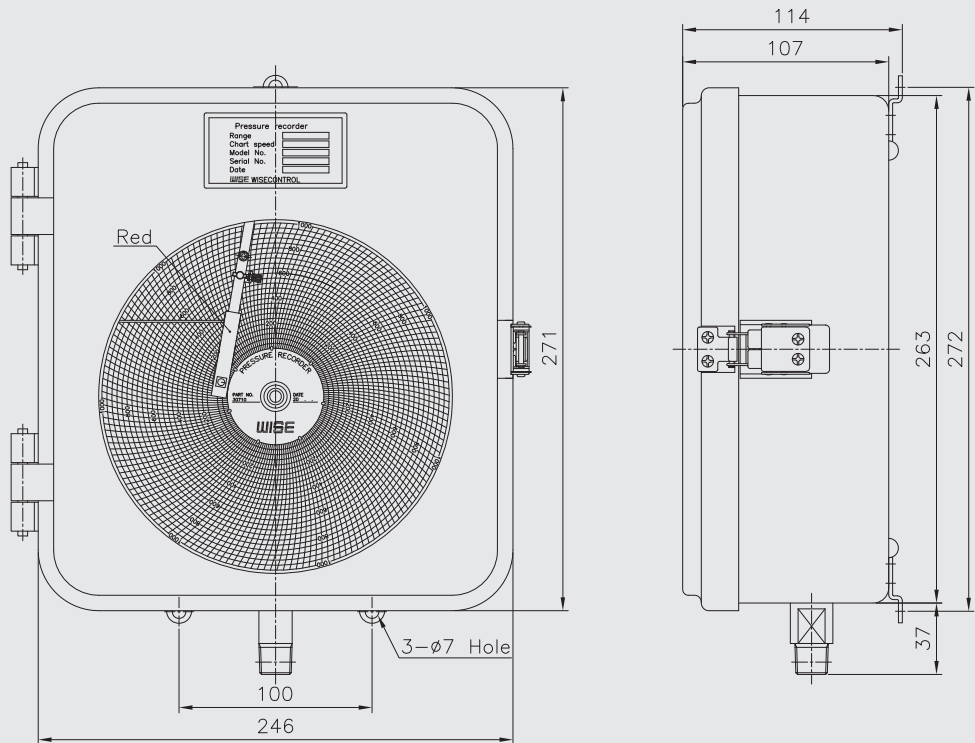
10. Option

- 0** None
1 Accessories
2 Temperature sensor

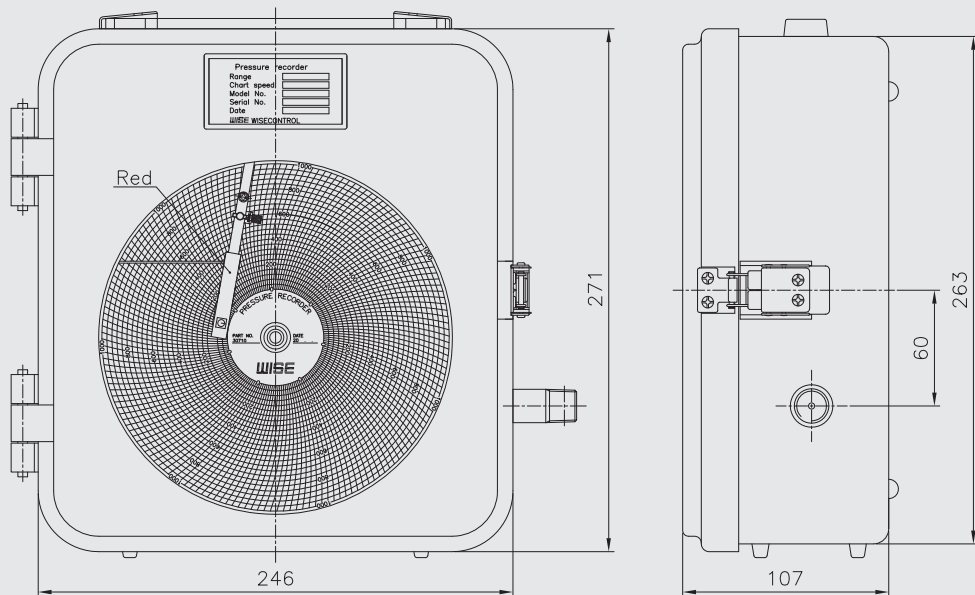
1	2	3	4	5	6	7	8	9	10	Sample ordering code
P931	8	B	5	D	B	H	XXX	3	0	

P93X : Type of mounting (1/3)

Code P931

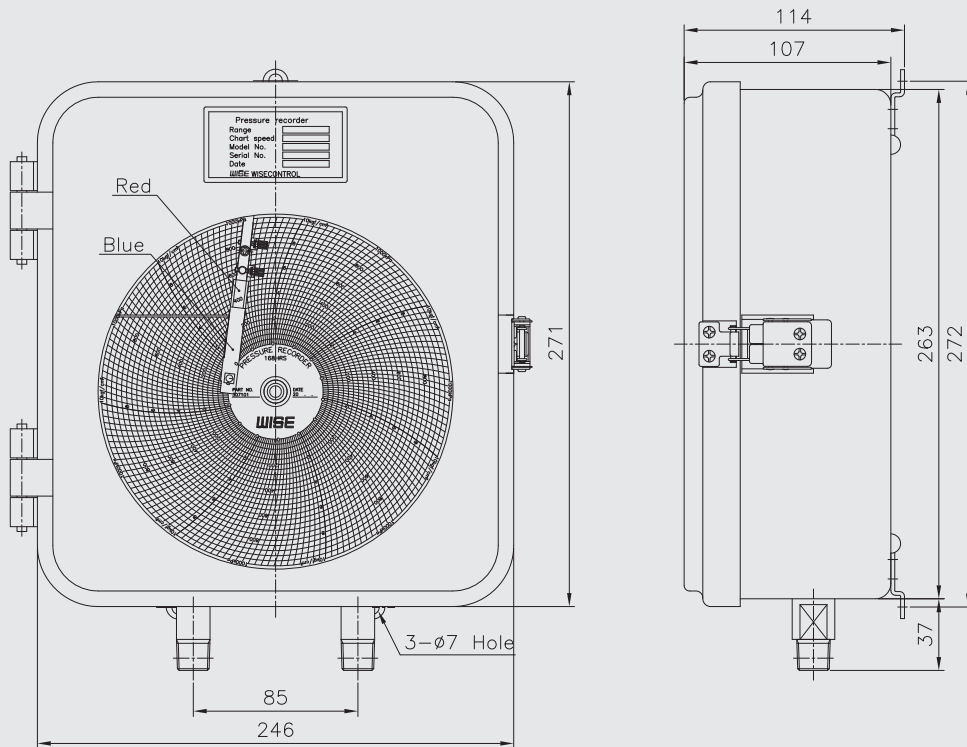


Code 933 (Portable type)

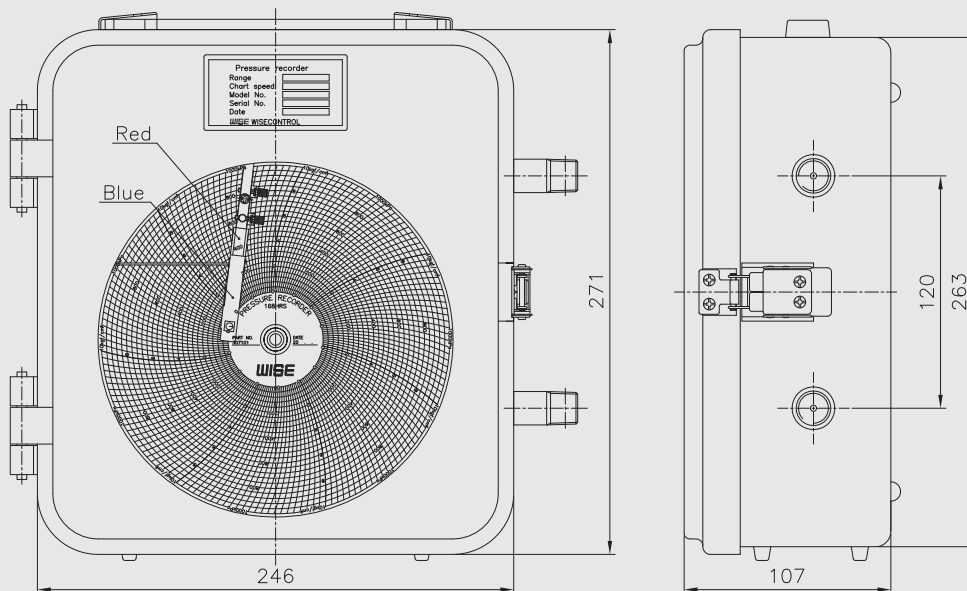


P93X : Type of mounting (2/3)

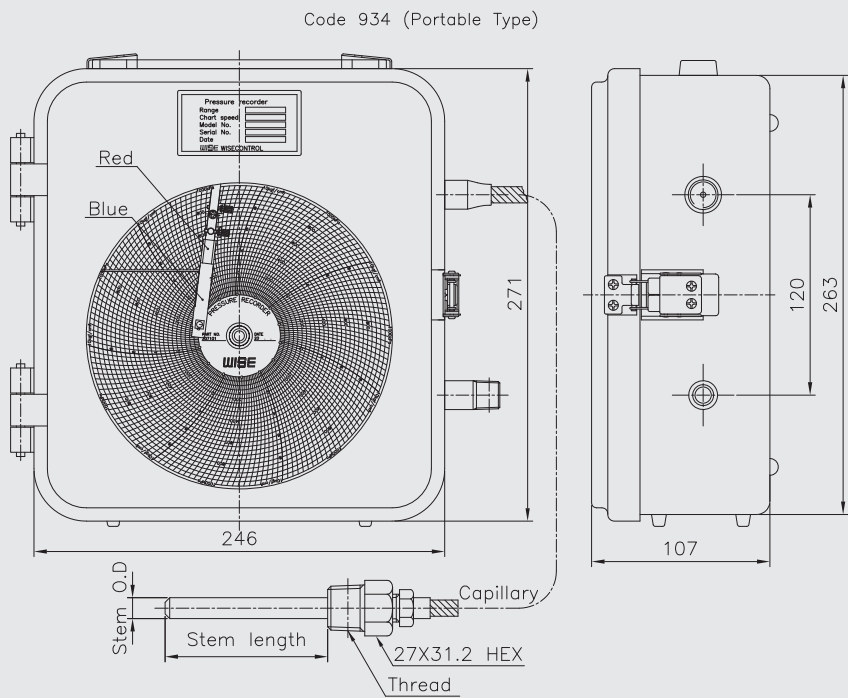
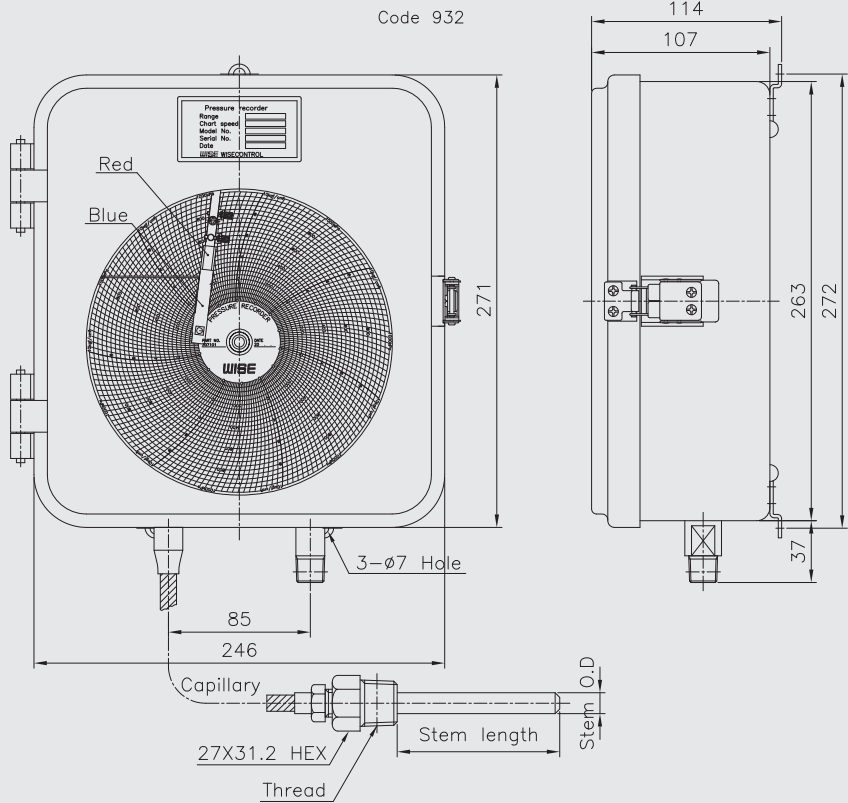
Code 932



Code 934 (Portable type)



P93X : Type of mounting (3/3)



Pressure range table

Scale	P931	P932	P933	P934	Order code
0 ~ 5 kPa	X		O		465
0 ~ 10 kPa	X		O		469
0 ~ 50 kPa	O		O		040
0 ~ 0.1 MPa	O		O		041
0 ~ 0.2 MPa	O		O		042
0 ~ 0.5 MPa	O		O		136
0 ~ 1 MPa	O		O		047
0 ~ 1.5 MPa	O		O		050
0 ~ 2 MPa	O		O		051
0 ~ 2.5 MPa	O		O		052
0 ~ 3.5 MPa	O	Refer to under table	O	Refer to under table	054
0 ~ 5 MPa	O		O		055
0 ~ 7 MPa	O		O		057
0 ~ 10 MPa	O		O		058
0 ~ 15 MPa	O		O		059
0 ~ 16 MPa	O		O		060
0 ~ 25 MPa	O		O		062
0 ~ 35 MPa	O		O		064
0 ~ 40 MPa	O		O		065
0 ~ 50 MPa	O		O		066
0 ~ 60 MPa	O		O	067	
0 ~ 70 MPa	O		O	068	
0 ~ 100 MPa	O		O	070	
0 ~ 160 MPa	O		O	074	
0 ~ 200 MPa	O		O	075	

O : Available X : Not available

Scale (2 pen) type - P932, P934		Code
Higher	Lower	
0 ~ 0.1 MPa	0 ~ 10 kPa	201
0 ~ 1 MPa	0 ~ 5 kPa	202
0 ~ 1 MPa	0 ~ 10 kPa	203
0 ~ 1 MPa	0 ~ 0.1 MPa	204
0 ~ 1.5 MPa	0 ~ 5 kPa	205
0 ~ 1.5 MPa	0 ~ 10 kPa	206
0 ~ 1.5 MPa	0 ~ 0.1 MPa	207

Pressure range table

Ordering chart paper

Range	Order code	Range		Order code
0 ~ 5kPa	3071010380	0 ~ 25 MPa		3071011780
0 ~ 10 kPa	3071010390	0 ~ 35 MPa		3071012370
0 ~ 50 kPa	3071011740	0 ~ 40 MPa		3071012820
0 ~ 0.1 MPa	3071010020	0 ~ 50 MPa		3071011850
0 ~ 0.2 MPa	3071012260	0 ~ 60 MPa		3071013250
0 ~ 0.5 MPa	3071012060	0 ~ 70 MPa		3071011470
0 ~ 1 MPa	3071012080	0 ~ 100 MPa		3071011270
0 ~ 1.5 MPa	3071011480	0 ~ 160 MPa		3071013090
0 ~ 2 MPa	3071011770	0 ~ 200 MPa		3071013100
0 ~ 2.5 MPa	3071012090	0 ~ 0.1 MPa	0 ~ 10 kPa	3071010540
0 ~ 3.5 MPa	3071011690	0 ~ 1 MPa	0 ~ 5 kPa	3071010550
0 ~ 5 MPa	3071012100	0 ~ 1 MPa	0 ~ 10 kPa	3071010560
0 ~ 7 MPa	3071012110	0 ~ 1 MPa	0 ~ 0.1 MPa	3071010570
0 ~ 10 MPa	3071012120	0 ~ 1.5 MPa	0 ~ 5 kPa	3071010580
0 ~ 15 MPa	3071012130	0 ~ 1.5 MPa	0 ~ 10 kPa	3071010590
0 ~ 16 MPa	3071012360	0 ~ 1.5 MPa	0 ~ 0.1 MPa	3071010600

Ordering pen

Pen description	Order code	Pen description	Order code
Red color (short pen)	3069040070	Blue color (Long pen)	3069040090

Ordering clock

Clock description	Order code	Clock description	Order code
168 (7 days) hours (P931, P932)	3102040020	Portable (Battery) type (P933.P934)	3102040030

Large empty rectangular area for writing the memo content.