

# Remote reading aluminium case thermometer with electrical contact

**Model : T711(H), T712(H/L), T713(L), T714(H/HH)**

Spec. sheet no. TD07-01

## Service intended

Contact type temperature gauge is installed with electric contact actuated by pointer. It provides the function which electrical circuit can be opened or closed by manual setpoint. It is applicable where signal is required (Audible or visual alarm) for control of resistance or any other application with auxiliary relay and contact.

## Nominal diameter

100 and 150 mm

## Accuracy

±2.0 % of full scale

## Measuring system (SAMA class IIIB)

Organic gas : 0 ~ 200 °C

Inert gas : -200 ~ 700 °C

## Working range

Maximum scale value



## Standard features

### Location of stem and mounting

Bottom connection, surface, case mounting  
Lower back connection, flush, case lower mounting  
Lower back connection, flush, case centre mounting

### Case

Black finished aluminium

### Cover

Black finished aluminium

### Capillary

Capillary : 1.6/0.2 mm, 316SS  
Armored tube : 7.5/5.5 mm, 304SS

### Window

Acrylic

### Dial

White aluminium with black graduation

### Contacts

Maximum voltage : 250 V AC  
Contact rating : AC 220 V, 0.25 A  
DC 100 V, 0.5 A  
With max. no of contact : 2 sets per gauge

### Pointer

Black finished brass

### Stem

6.4, 8.0, 10.0 and 12.0 mm  
316SS and 316L SS

### Stem, process connection

3/8", 1/2", 3/4" PT, NPT and PF

### Option

±1.0 % of full scale

**1. Base model**

- T711** Remote reading aluminium case thermometer with electric contact (High alarm)
- T712** Remote reading aluminium case thermometer with electric contact (High and low alarm)
- T713** Remote reading aluminium case thermometer with electric contact (Low alarm)
- T714** Remote reading aluminium case thermometer with electric contact (High and high alarm)

**2. Nominal diameter (mm)**

- 4** 100
- 6** 150

**3. Type of mounting**

- B** Bottom connection, surface, case mounting plate
- K** Lower back connection, flush, case lower mounting plate, not available with diameter 150 mm
- L** Lower back connection, flush, case center mounting plate, not available with diameter 150 mm

**4. Stem material**

- 1** 316SS
- 2** 316L SS

**5. Stem, process connection**

- A** None
- D** 3/8"
- E** 1/2"
- F** 3/4"

**6. Stem connection type (CF: Compression fitting)**

- A** None
- E** CF + PT
- F** CF + NPT
- G** CF + PF
- H** MT + PT (Movable thread)
- I** MT + NPT (Movable thread)
- J** MT + PF (Movable thread)

**7. Stem outer diameter (mm)**

- 2** 8.0
- 3** 10.0
- 4** 12.0 (Standard)
- Z** Other

**8. Range**

- XXX** Refer to scale range table

**9. Capillary length (m)**

- P** 2
- Q** 3
- S** 5
- V** 8
- X** 10
- Z** Other

**10. Accessories**

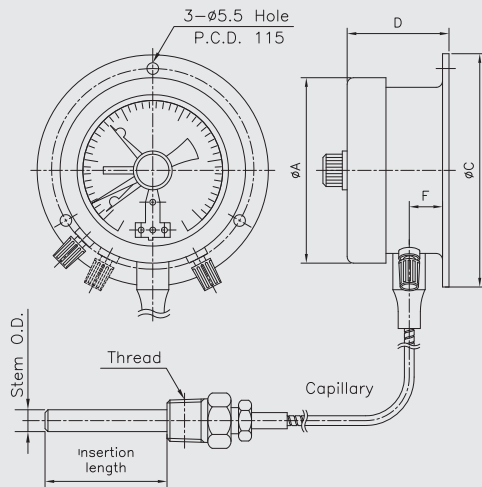
- 0** None
- 1** Thermowell
- S** Special accuracy ( $\pm 1.0\%$  of full scale)
- T** Thermowell and special accuracy

1	2	3	4	5	6	7	8	9	10
T711	4	B	1	E	C	3	XXX	P	1

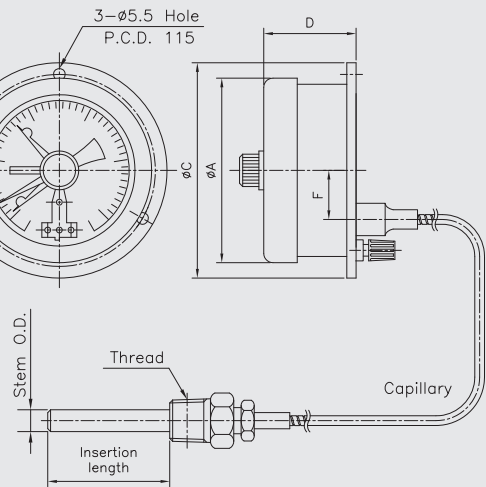
Sample ordering code

## T71X : Type of mounting

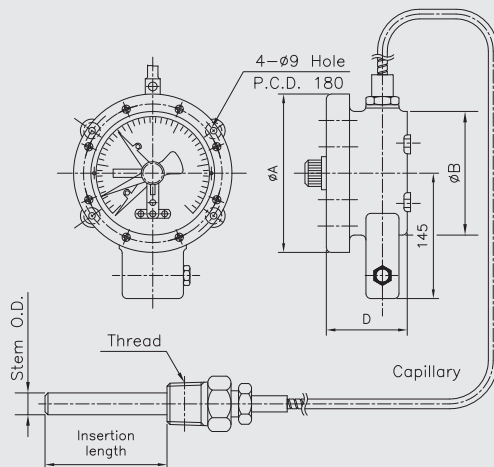
Code B



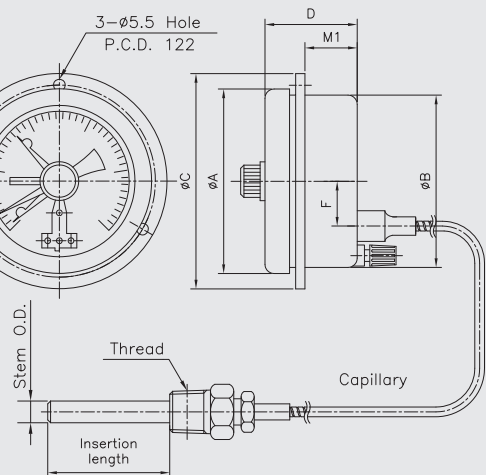
Code K



Code B\*



Code L



Dimensions (mm)

Dial Size	Available code	A	B	C	D±2	F±1	M1
100	T711,T713	110	B	128	83.7	20.5	
	T712,T714						
	T711,T713	110	K	128	83.7	25	
	T712,T714						
	T711,T713	110	105	135	83.7	25	32
	T712,T714						
150	T711,T713	186	B*	158	90		
	T712,T714						

## Scale ranges

Code	Scale range (°C)	Scale spacing(°C)	Minimum stem length (mm)			Standard stem length (mm)		
			8.0	10.0	12.0	8.0	10.0	12.0
032	-50 ~ 50	2	100	85	65	200	130	100
037	-50 ~ 100	5	100	88	65	200	130	100
054	-30 ~ 50	2	100	85	65	200	130	100
059	-30 ~ 100	2	100	85	65	200	130	100
061	-30 ~ 120	5	100	85	65	200	130	100
069	-20 ~ 50	2	100	85	65	200	130	100
074	-20 ~ 100	2	100	85	65	200	130	100
079	-20 ~ 150	5	100	85	65	200	130	100
084	-10 ~ 50	1	100	85	65	200	130	100
099	0 ~ 50	1	100	85	65	200	130	100
100	0 ~ 60	1	100	85	65	200	130	100
101	0 ~ 70	2	100	85	65	200	130	100
102	0 ~ 80	2	100	85	65	200	130	100
104	0 ~ 100	2	100	85	65	200	130	100
106	0 ~ 120	2	100	85	65	200	130	100
109	0 ~ 150	5	100	85	65	200	130	100
114	0 ~ 200	5	100	85	65	200	130	100
119	0 ~ 250	5	100	85	65	200	130	100
124	0 ~ 300	5	100	85	65	200	130	100
129	0 ~ 350	5	100	85	65	200	130	100
134	0 ~ 400	10	100	85	65	200	130	100
144	0 ~ 500	10	100	85	65	200	130	100
154	0 ~ 600	10	100	85	65	200	130	100
164	0 ~ 700	10	100	85	65	200	130	100

\* 0 ~ 700 °C/Special range

## Insertion length

Code	1	2	3	4	5	6	7	8	9	A	B	C
Length (mm)	50	60	70	80	100	120	130	150	175	200	225	250

Code	D	E	F	G	H	J	K	L	M	N	P
Length (mm)	275	300	350	375	400	450	500	550	1,000	1,500	2,000